

## Denmark

The Danish standard is described in Afsnit 107-2-D1 and is unique to Denmark. The Danish socket will also accept either the CEE 7/4 or CEE 7/7 plugs; however, there is no grounding connection with these plugs because a male ground pin is required on the plug.

The correct plug must be used in Denmark for safety reasons, it is important to use a Danish plug on equipment being sent to Denmark.

A variation of this plug intended for use only on surge protected computer circuits and Hospital applications has been introduced. The current rating on all plugs is now 16 Amps. A mating power outlet accepts the data or Hospital equipment plug, but not the standard Danish Plug.



(Standard version 210A1186 shown)

## MAINS LINE PLUGS, 210A SERIES TYPE 186 Round, with Straight cable entry

### SPECIFICATIONS

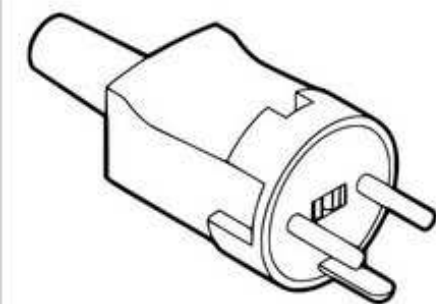
- Round mains line plug, Type 186
- Straight Cord Entry ( $\varnothing$  5 to 12)mm
- Rated Current: 10A, 13A, now 16 Amp max
- Rated Voltage: 250 Volt AC max
- 2-Pole, 3-Wire Grounded (2P+E)
- Terminals: Screw terminals, brass
- Carrying parts: Polyamide
- Housing/Cover: Polyamide
- Denmark standard:
  - DS/IEC 60884-1:2004 + A1:2007,
  - AFSNIT SB 107-2-D1 Ed.5:2008,
  - Standard Sheet DK 2-1a (Standard plug),
  - Standard Sheet DK 2-5a (IT/DATA/EDB plug),
  - Standard Sheet DK 2-8a (Hospital plug)
- Approvals: DEMKO
- IP code: IP44
- Available colors: red/green

## SELECTION CHART

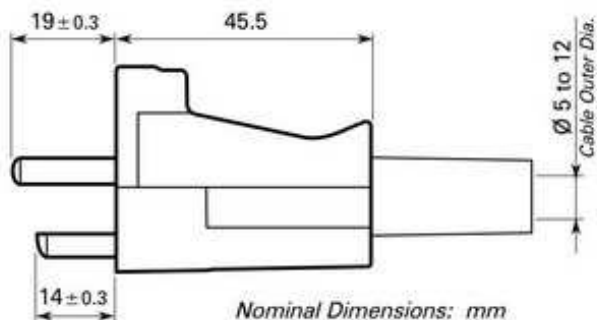
Description	Color	Catalog Number	Catalog Number	Catalog Number	Net Weight each (kg)	Standard Pack Qty.
<b>Pins Configuration</b>						
Standard		EDB (Data)		Hospital		
Straight Mains Line Plug, 2P+E, Type 186	red/green	<b>210A1186</b>	—	<b>210A1189</b>	0.045	500/10

Catalog numbers in bold indicates active products in this group. Contact our sales office for the others.

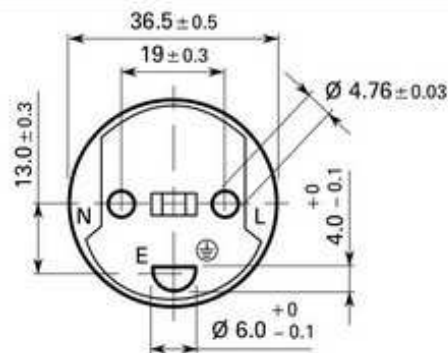
## PRODUCT DIMENSIONS



Standard Plug shown



Nominal Dimensions: mm



Please visit our website for further information and product availability: [www.biaonline.com](http://www.biaonline.com)

Specifications and information are nominal and are subject to change without notice.